

PP1 rev.2022-12-20

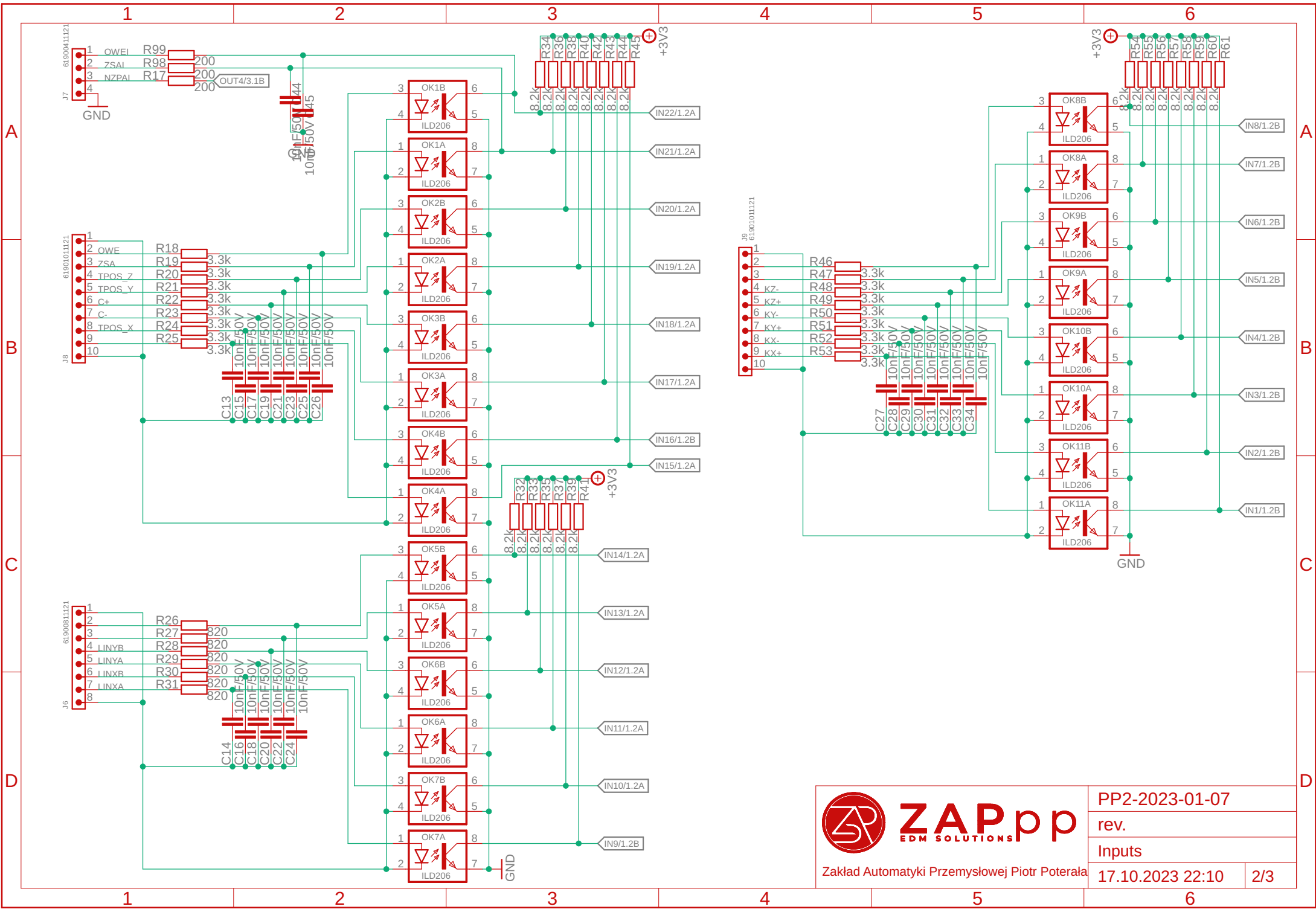
|      |    |    |               |
|------|----|----|---------------|
| PE8  | 2  | 1  | PD0           |
| PE9  | 4  | 3  | PD1           |
| PE10 | 6  | 5  | PD3           |
| PE0  | 8  | 7  | PD4           |
| PE1  | 10 | 9  | PD5           |
| PE2  | 12 | 11 | PD6           |
| PE3  | 14 | 13 | PD7           |
| PE4  | 16 | 15 | PD8           |
| PE5  | 18 | 17 | PD9           |
| PE6  | 20 | 19 | PD10          |
| PE7  | 22 | 21 | PD11          |
| PE11 | 24 | 23 | PD12          |
| PE12 | 26 | 25 | PD13          |
| PE13 | 28 | 27 | PD14          |
| PE14 | 30 | 29 | PD15          |
| PE15 | 32 | 31 | PD2/UART5_RX  |
| PE16 | 34 | 33 | PC12/UART5_TX |
| PE17 | 36 | 35 | PC12/UART5_RX |
| PE18 | 38 | 37 | PC12/UART5_TX |
| PE19 | 40 | 39 | PC9           |

|      |    |    |      |
|------|----|----|------|
| 3.3V | 72 | 71 | 3.3V |
| PC4  | 70 | 69 | NC   |
| PC3  | 68 | 67 | PB0  |
| PC2  | 66 | 65 | PB1  |
| PC1  | 64 | 63 | PB4  |
| PC0  | 62 | 61 | PB5  |
| PA12 | 60 | 59 | PB6  |
| PA11 | 58 | 57 | PB7  |
| PA10 | 56 | 55 | PB8  |
| PA9  | 54 | 53 | NC   |
| PA3  | 52 | 51 | NC   |
| PA2  | 50 | 49 | PC13 |
| PA1  | 48 | 47 | PB12 |
| PA0  | 46 | 45 | PB13 |
| PB15 | 44 | 43 | PB14 |
| GND  | 42 | 41 | GND  |

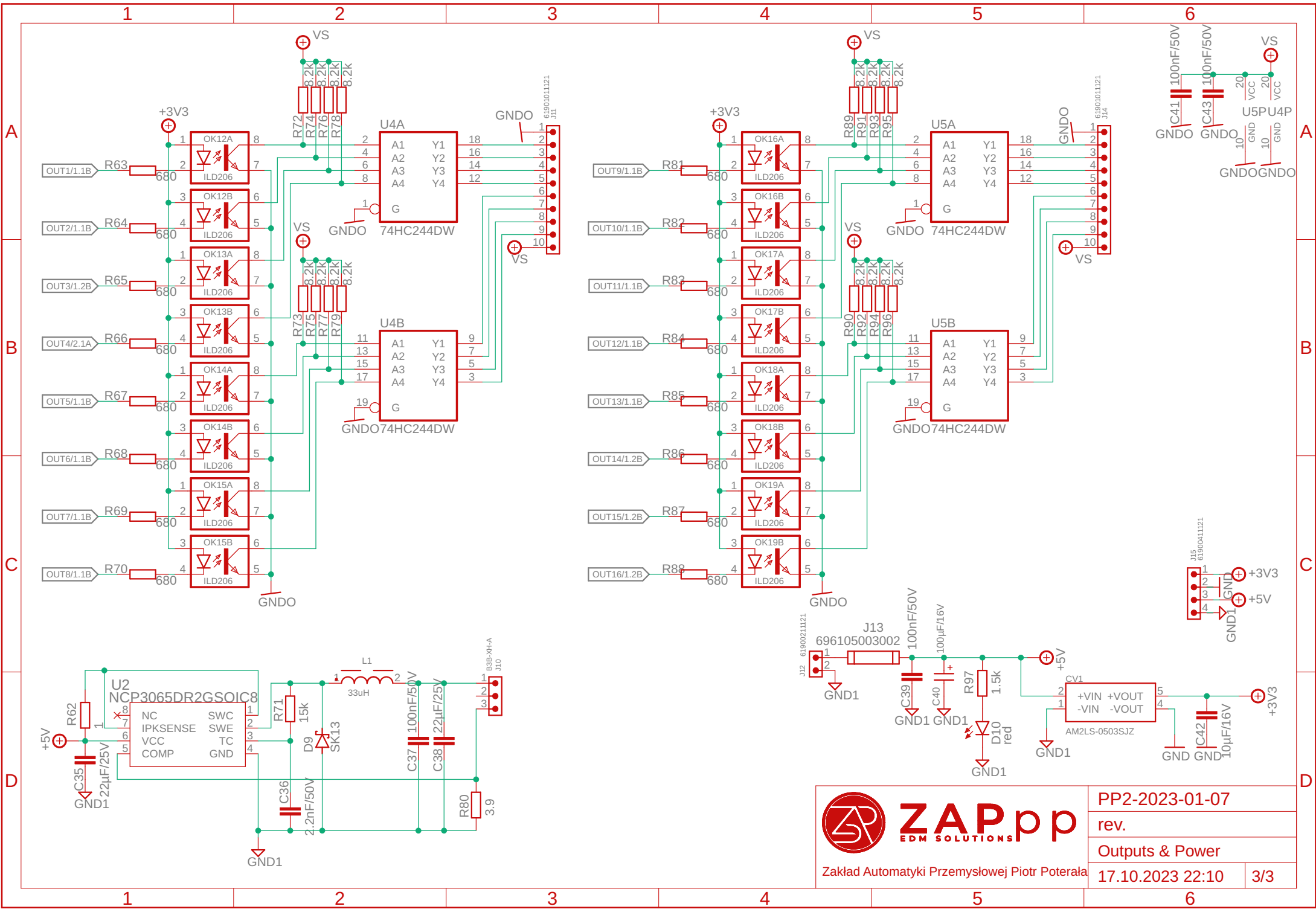


Zakład Automatyki Przemysłowej Piotr Poterała

|                        |
|------------------------|
| PP2-2023-01-07         |
| rev.                   |
| MCU slot & Peripherals |
| 17.10.2023 22:10       |
| 1/3                    |



|  |                |                  |
|--|----------------|------------------|
|  <b>ZAPP</b><br>EDM SOLUTIONS | PP2-2023-01-07 |                  |
|  | rev.           |                  |
|  | Inputs         |                  |
| Zakład Automatyki Przemysłowej Piotr Poterała  |                | 17.10.2023 22:10 |
|  |                | 2/3              |



Zakład Automatyki Przemysłowej Piotr Poterała

|                  |     |
|------------------|-----|
| PP2-2023-01-07   |     |
| rev.             |     |
| Outputs & Power  |     |
| 17.10.2023 22:10 | 3/3 |